



■ Features:

- Universal AC input 90~305 Vac.
- Constant Voltage / Constant Current Operation.
- Suitable for LED lighting applications.
- Built-in ACTIVE PFC Function.
- Protections: OVP / SCP / OTP.
- IP67 Level design for indoor or outdoor installations.
- High Voltage output.
- Cooling by free air convection.

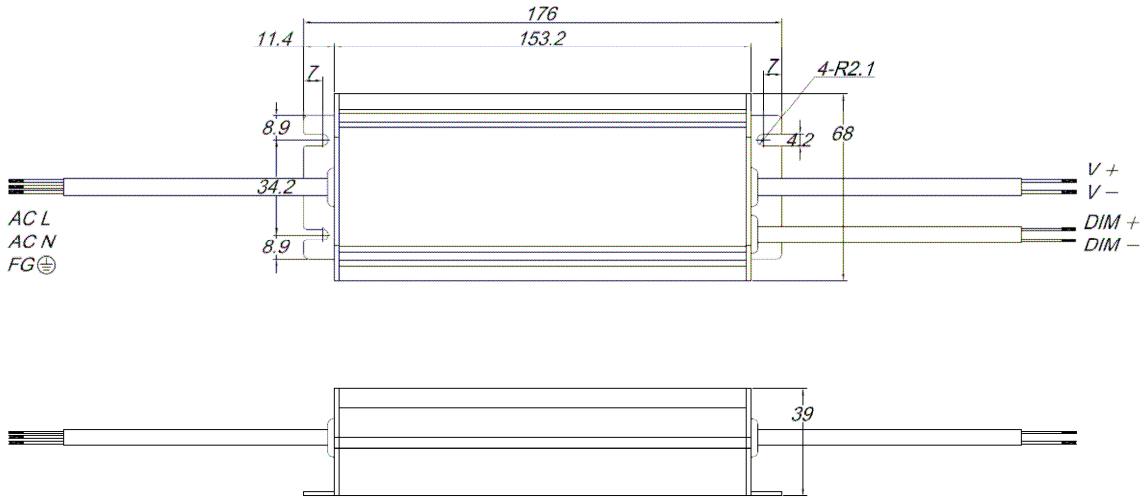


SPECIFICATION

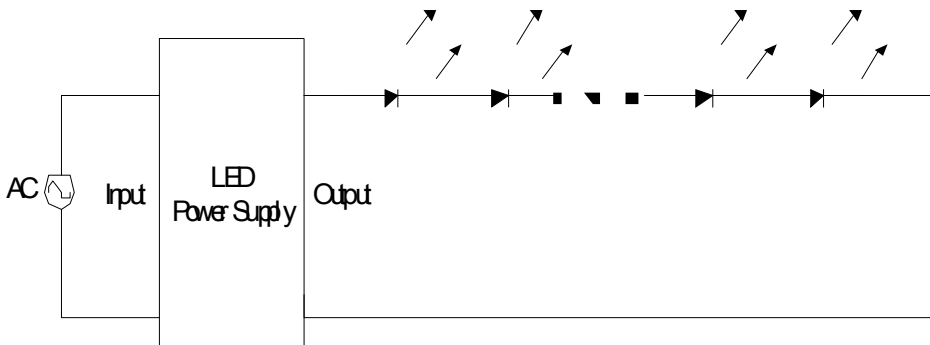
MODEL	BLL0065F2-186	BLL0065F2-123	BLL0065F2-93	BLL0075F2-215	BLL0075F2-142	
OUTPUT	DC Voltage Range Note.2	111 - 186V	73 - 123V	55 - 93V	129 - 215V	85 - 142V
	Rated Current	350mA	530mA	700mA	350mA	530mA
	Current Tolerance	+5%, -5%	+5%, -5%	+5%, -5%	+5%, -5%	+5%, -5%
	Rated Power	65.1W	65.2W	65.1W	75.25W	75.26W
	Ripple&Noise(Max.) Note.3	0.7V	0.7V	0.7V	0.7V	0.7V
	Efficiency at 230Vac(Max.)Note.4	91%	91%	91%	92%	92%
	Voltage Tolerance	±10%	±10%	±10%	±10%	±10%
	Set up time (Max.)	2000ms/ 230Vac and 3000ms/115Vac at rated power.				
INPUT	Voltage Range	90 ~ 305Vac				
	Norminal Voltage	100 ~ 277Vac				
	Frequency Range	47 Hz ~ 63 Hz				
	AC Current (Max.)	1.2A at 115Vac / 0.6A at 230Vac				
	Power Factor	>0.98 at 115Vac / ≥ 0.95 at 230Vac at full load.P.F≥ 0.9 at 75% load at 230Vac				
	Inrush Current (Max.)	65A at 230Vac (COLD START)				
	Leakage Current	<0.5mA at 230Vac/50Hz				
PROTECTION	Over Voltage	No part damaged on power supply.				
	Short Circuit	Type: Shut down output voltage & recovers after fault condition removed.				
	Over Temperature	Type: Shut down output voltage & recovers after fault condition removed.				
ENVIRONMENT	Operation Temp.	-40 ~ 60℃ at Full Load. (Refer to output load derating curve)				
	Operation Humidity	10% ~ 95% RH non-condensing.				
	Storage Temp.	-40 ~ +80℃				
	Storage Humidity	5% ~ 95% RH				
	Vibration	10~500 Hz, 2G 10 min./1 cycle, period for 60 min. each along X, Y, Z axes.				
SAFETY & EMC	Safety Standards	IEC/EN 61347-1,IEC/EN 61347-2-13,IP67, GB19510.14, GB19510.1 approved				
	Withstand Voltage	I/P-O/P: 3.75KVAC I/P-FG:1.88KVAC O/P-FG:0.5KVAC				
	Isolation Resistance	I/P - O/P, I/P - FG, O/P - FG: >100M ohms / 500VDC at 25 ℃				
	EMI Conduction & Radiation	Compliance to EN55015,FCC part 15, GB17743				
	Harmonic Current	Compliance to EN61000-3-2 Class C ,EN61000-3-3				
	EMS Immunity	Compliance to EN61000-4-2,3,4,5,6,8,11 , EN61547, meet light industry level(surge 4KV), criteria B, GB17625.1				
OTHERS	MTBF	300K hours min. MIL-HDBK-217F(25℃)				
	Dimension(L*W*H)	176mm x 68mm x39mm				
	Packing(L*W*H)/Carton	TBD				
	Weight	1Kg				
NOTE	<p>1. All specifications not specially mentioned are measured at 230Vac and 25 ℃ ambient temperature.</p> <p>2. The range is for constant current application.</p> <p>3. Ripple &amp; Noise are measured at 20MHz bandwidth by using a 12" twisted pair-wire terminated with 0.1uf &amp; 47uf parallel capacitor.</p> <p>4. Efficiency can be measured Max. Efficiency after 10 mins burn-in.</p>					

MODEL		BLL0075F2-108	BLL0075F2-72	BLL0085F2-161	BLL0085F2-122	BLL0085F2-81	
OUTPUT	DC Voltage Range Note.2	54 - 108V	43 - 72V	96 - 161V	60 - 122V	48 - 81V	
	Rated Current	700mA	1050mA	530mA	700mA	1050mA	
	Current Tolerance	+5%, -5%	+5%, -5%	+5%, -5%	+5%, -5%	+5%, -5%	
	Rated Power	75.6W	75.6W	85.33W	85.4W	85.05W	
	Ripple&Noise(Max.) Note.3	0.7V	0.7V	0.7V	0.7V	0.7V	
	Efficiency at 230Vac(Max.)Note.4	92%	92%	92%	92%	92%	
	Voltage Tolerance	±10%	±10%	±10%	±10%	±10%	
	Set up time (Max.)	2000ms/ 230Vac and 3000ms/115Vac at rated power.					
INPUT	Voltage Range	90 ~ 305Vac					
	Norminal Voltage	100 ~ 277Vac					
	Frequency Range	47 Hz ~ 63 Hz					
	AC Current (Max.)	1.2A at 115Vac / 0.6A at 230Vac					
	Power Factor	>0.98 at 115Vac / ≥ 0.95 at 230Vac at full load.P.F ≥ 0.9 at 75% load at 230Vac					
	Inrush Current (Max.)	65A at 230Vac (COLD START)					
	Leakage Current	<0.5mA at 230Vac/50Hz					
PROTECTION	Over Voltage	No part damaged on power supply.					
	Short Circuit	Type: Shut down output voltage & recovers after fault condition removed.					
	Over Temperature	Type: Shut down output voltage & recovers after fault condition removed.					
ENVIRONMENT	Operation Temp.	-40 ~ 60℃ at Full Load. (Refer to output load derating curve)					
	Operation Humidity	10% ~ 95% RH non-condensing.					
	Storage Temp.	-40 ~ +80℃					
	Storage Humidity	5% ~ 95% RH					
	Vibration	10~500 Hz, 2G 10 min./1 cycle, period for 60 min. each along X, Y, Z axes.					
SAFETY & EMC	Safety Standards	Meet UL8750,CAN/CSA-C22.2 No.60950-1,IEC/EN 61347-1,IEC/EN 61347-2-13,IP67, GB19510.14, GB19510.1 approved					
	Withstand Voltage	I/P-O/P: 3.75KVAC I/P-FG:1.88KVAC O/P-FG:0.5KVAC					
	Isolation Resistance	I/P - O/P, I/P - FG, O/P - FG: >100M ohms / 500VDC at 25 ℃					
	EMI Conduction & Radiation	Compliance to EN55015,FCC part 15, GB17743					
	Harmonic Current	Compliance to EN61000-3-2 Class C ,EN61000-3-3					
	EMS Immunity	Compliance to EN61000-4-2,3,4,5,6,8,11 , EN61547, meet light industry level(surge 4KV), criteria B, GB17625.1					
OTHERS	MTBF	300K hours min. MIL-HDBK-217F(25℃)					
	Dimension(L*W*H)	176mm x 68mm x39mm					
	Packing(L*W*H)/Carton	TBD					
	Weight	1Kg					
NOTE	<p>1. All specifications not specially mentioned are measured at 230Vac and 25 ℃ ambient temperature.</p> <p>2. The range is for constant current application.</p> <p>3. Ripple &amp; Noise are measured at 20MHz bandwidth by using a 12" twisted pair-wire terminated with 0.1uf &amp; 47uf parallel capacitor.</p> <p>4. Efficiency can be measured Max. Efficiency after 10 mins burn-in.</p>						

■ Mechanical Specification



■ Direct Driving



■ Derating Curve

