



■ Features:

- Universal AC input 90~305 Vac.
- Constant Voltage / Constant Current Operation.
- Suitable for LED lighting applications.
- Built-in ACTIVE PFC Function.
- Protections: OVP / SCP / OTP.
- IP67 Level design for indoor or outdoor installations.
- High Voltage output.
- Cooling by free air convection.

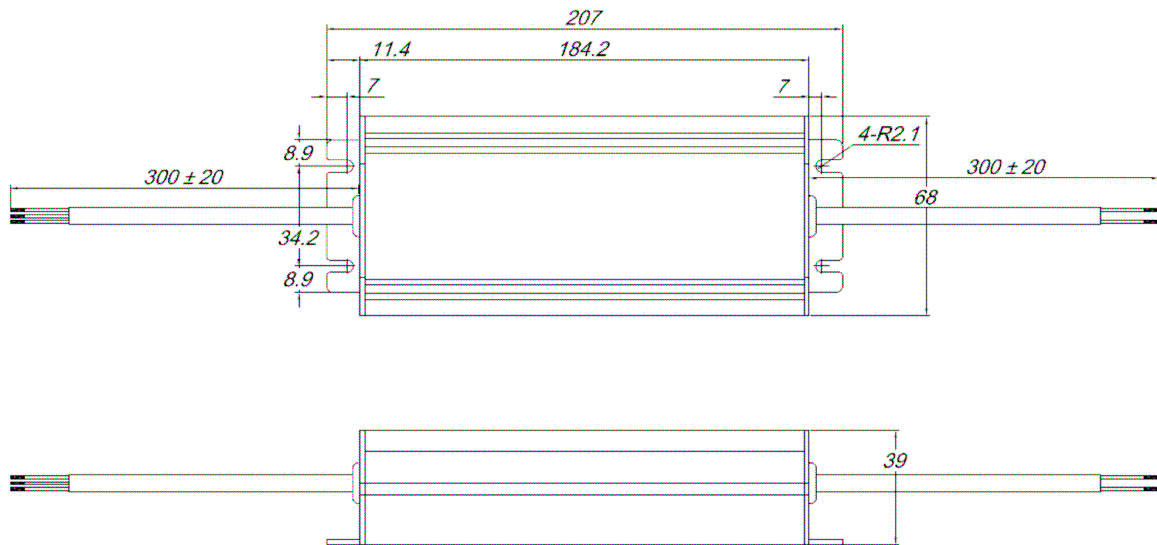
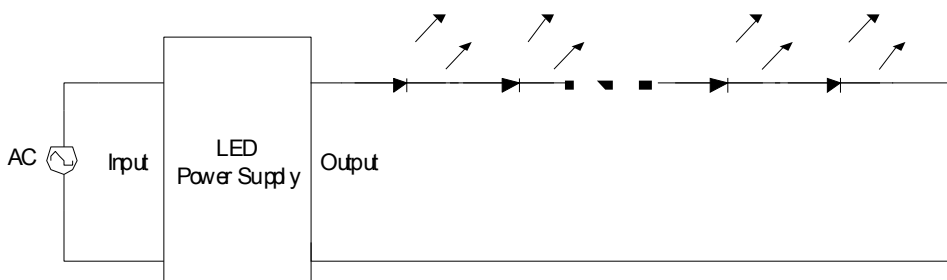


IP67 FCC CE CB



SPECIFICATION

MODEL		BLL0100F2-190	BLL0100F2-139	BLL0100F2-143	BLL0100F2-96	BLL0100F2-72	
OUTPUT	DC Voltage Range Note.2	114 - 190V	86 - 139V	85 - 143V	57 - 96V	45 - 72V	
	Rated Current	530mA	700mA	700mA	1050mA	1400mA	
	Current Tolerance	+5%, -5%	+5%, -5%	+5%, -5%	+5%, -5%	+5%, -5%	
	Rated Power	100.7W	97.3W	100.1W	100.8W	100.8W	
	Ripple&Noise(Max.) Note.3	1.0V	1.0V	1.0V	1.0V	1.0V	
	Efficiency at 230Vac(Max.)Note.4	92%	93%	93%	92%	92%	
	Voltage Tolerance	±10%	±10%	±10%	±10%	±10%	
	Set up time (Max.)	2000ms/ 230Vac and 3000ms/115Vac at rated power.					
INPUT	Voltage Range	90 ~ 305Vac					
	Norminal Voltage	100 ~ 277Vac					
	Frequency Range	47 Hz ~ 63 Hz					
	AC Current (Max.)	1.3A at 115Vac / 0.6A at 230Vac					
	Power Factor	>0.98 at 115Vac / ≥ 0.95 at 230Vac at full load.P.F≥ 0.9 at 75% load at 230Vac					
	Inrush Current (Max.)	75A at 230Vac (COLD START)					
	Leakage Current	<0.5mA at 230Vac/50Hz					
PROTECTION	Over Voltage	No part damaged on power supply.					
	Short Circuit	Type: Shut down output voltage & recovers after fault condition removed.					
	Over Temperature	Type: Shut down output voltage & recovers after fault condition removed.					
ENVIRONMENT	Operation Temp.	-40 ~ 60℃ at Full Load. (Refer to output load derating curve)					
	Operation Humidity	10% ~ 95% RH non-condensing.					
	Storage Temp.	-40 ~ +80℃					
	Storage Humidity	5% ~ 95% RH					
	Vibration	10~500 Hz, 2G 10 min./1 cycle, period for 60 min. each along X, Y, Z axes.					
SAFETY & EMC	Safety Standards	IEC/EN 61347-1,IEC/EN 61347-2-13,IP67, GB19510.14, GB19510.1 approved					
	Withstand Voltage	I/P-O/P: 3.75KVAC I/P-FG:1.88KVAC O/P-FG:0.5KVAC					
	Isolation Resistance	I/P - O/P, I/P - FG, O/P - FG: >100M ohms / 500VDC at 25 ℃					
	EMI Conduction & Radiation	Compliance to EN55015,FCC part 15, GB17743					
	Harmonic Current	Compliance to EN61000-3-2 Class C ,EN61000-3-3					
	EMS Immunity	Compliance to EN61000-4-2,3,4,5,6,8,11 , EN61547, meet light industry level(surge 4KV), criteria B, GB17625.1					
OTHERS	MTBF	300K hours min. MIL-HDBK-217F(25℃)					
	Dimension(L*W*H)	207 * 68 * 39 mm					
	Packing(L*W*H)/Carton	TBD					
	Weight	1.1Kg					
NOTE	<p>1. All specifications not specially mentioned are measured at 230Vac and 25 ℃ ambient temperature.</p> <p>2. The range is for constant current application.</p> <p>3. Ripple & Noise are measured at 20MHz bandwidth by using a 12" twisted pair-wire terminated with 0.1uf & 47uf parallel capacitor.</p> <p>4. Efficiency can be measured Max. Efficiency after 10 mins burn-in.</p>						

■ Mechanical Specification**■ Direct Driving****■ Derating Curve**