

SG90-SZ-O RS-485 / ZigBee Converter



The RS-485 / ZigBee Converter can transform signal between wired RS-485 and wireless ZigBee. The converter applies to the field where either it's difficult to pull the wire, or decoration/renovation is required. The SG90-SZ-O can reduce the wiring and maintenance cost which provides a flexible option for monitoring system installation and allocation.

Features

1. Bidirectional structure, signals can be transferred between ZigBee and RS-485.
2. Supports different communication baud rate.
3. No need to explain communication content and format, the signals will be fully converted and transmitted.
4. Waterproof design for outdoor applications.
5. Compact size and easy to install.
6. Wide power supply and low power consumption

Model No. Description

SG90-SZ-O

Communication format

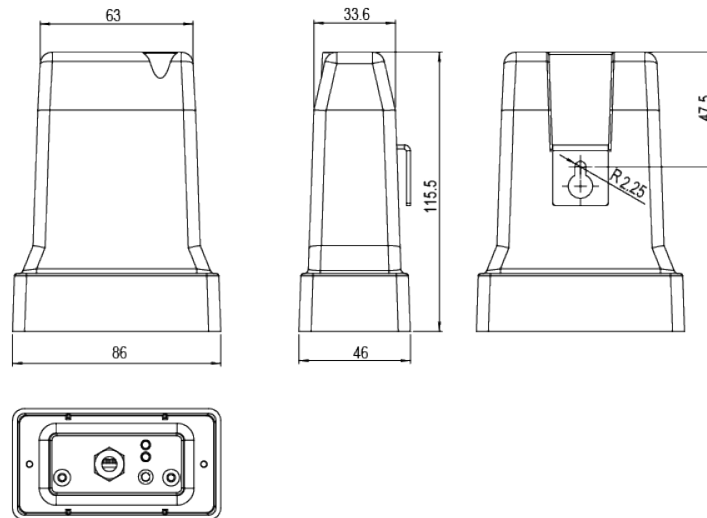
Communication format	Default	RS485 / ZigBee Modbus Communication format
----------------------	---------	--

FulltransZC : Coordinator
FulltransZR : Router

Technical Specifications

Model Name		SG90-SZ-O
Power supply		FulltransZR : DC 12V FulltransZC : DC 24V
Current/Power consumption		20mA < / 0.05W <
LED display	Power	Power Status
	ZigBee	ZigBee Connecting Status
Button		ZigBee Join Button
3 Bit DIP switch		Baud rate setting
Operating temperature.		-40°C~+85°C
Weight		150 g
Dimension W x H x D (mm)		86 × 115.5 × 46

Dimensions (unit=mm)



Application Diagram

